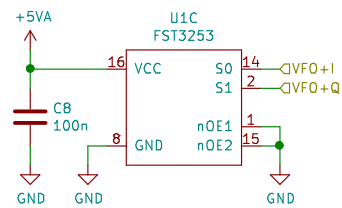
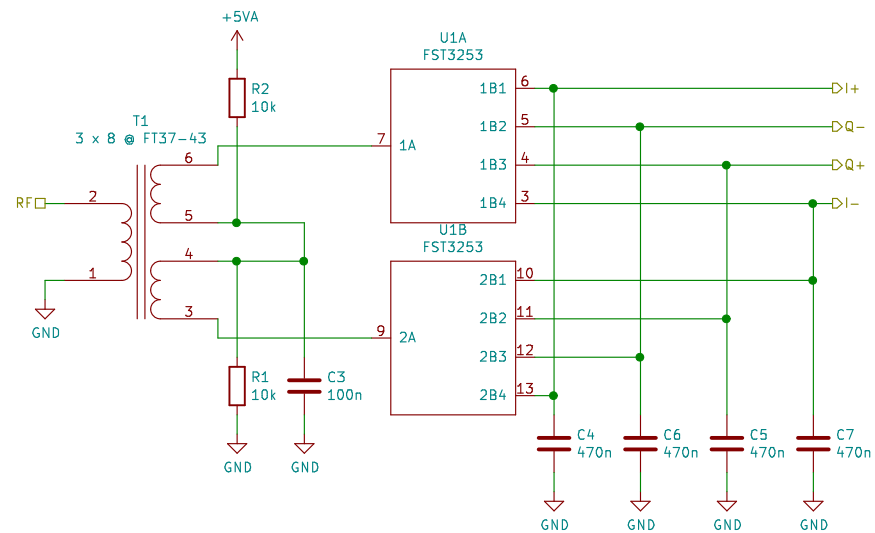


based on QCX  
Receiver  
DM3MAT  
Sheet: /  
File: rx.sch

**Title: QRP CW TRX**

Size: A4	Date: 2020-06-24	Rev: 2
KiCad E.D.A. kicad 5.1.5+dfsg1-2build2		Id: 1/6



based on QCX  
Mixer

**DM3MAT**

Sheet: /Mixer/

File: rx\_mixer.sch

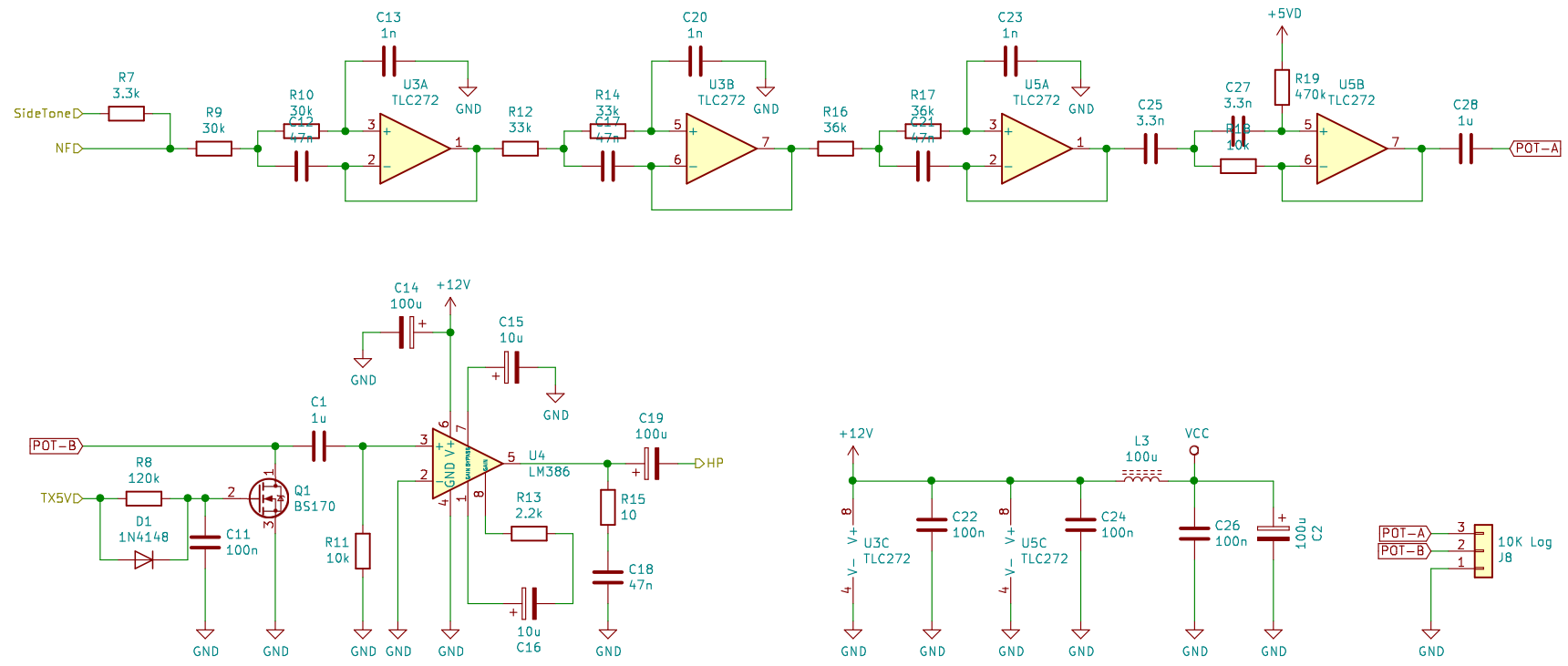
**Title: QRP CW TRX**

Size: A4 Date: 2020-06-24

KiCad E.D.A. kicad 5.1.5+dfsg1-2build2

**Rev: 2**

Id: 2/6

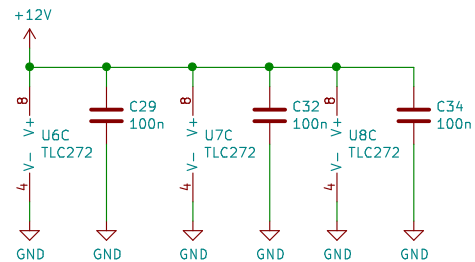
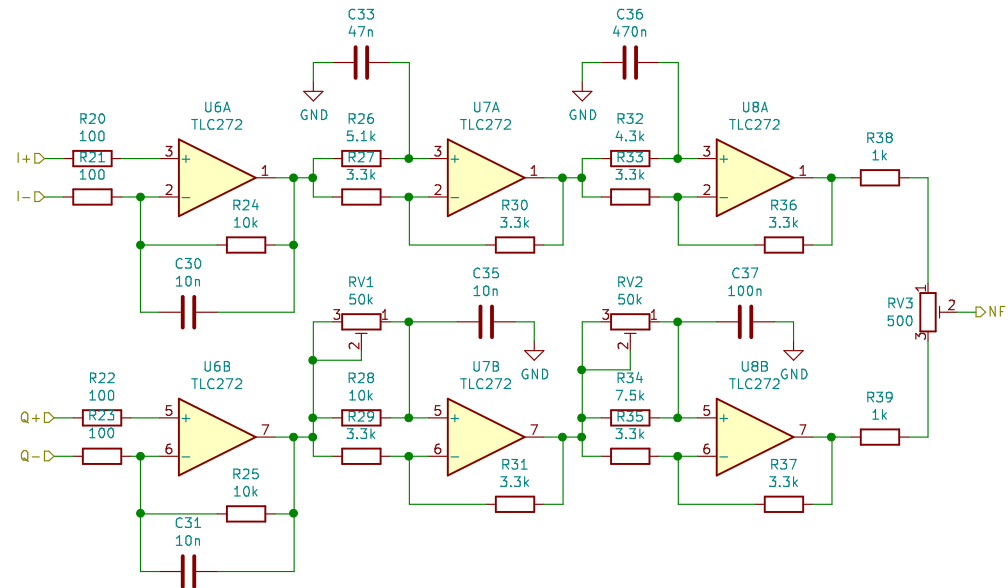


based on QCX  
 CW Filter & Audio AMP  
**DM3MAT**  
 Sheet: /Audio/  
 File: rx\_audio.sch

**Title: QRP CW TRX**

Size: A4 Date: 2020-06-24  
 KiCad E.D.A. kicad 5.1.5+dfsg1-2build2

**Rev: 2**  
 Id: 3/6



based on QCX  
Demodulator

**DM3MAT**

Sheet: /Demod/

File: rx\_demod.sch

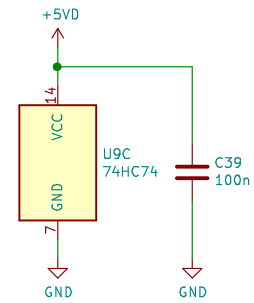
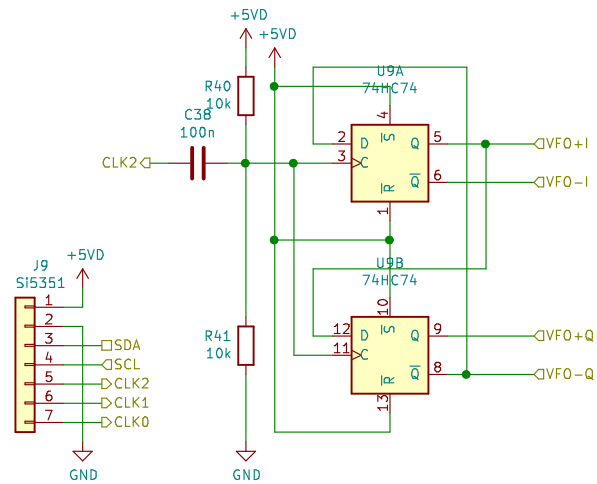
**Title: QRP CW TRX**

Size: A4 Date: 2020-06-24

KiCad E.D.A. kicad 5.1.5+dfsg1-2build2

**Rev: 2**

Id: 4/6

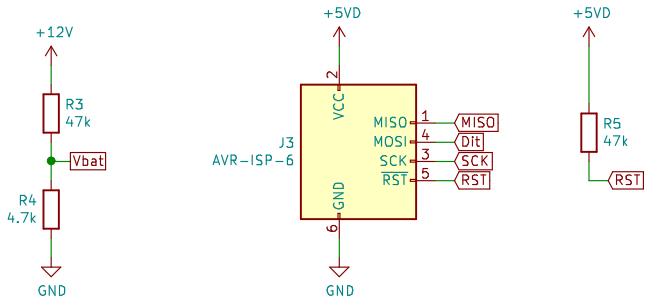
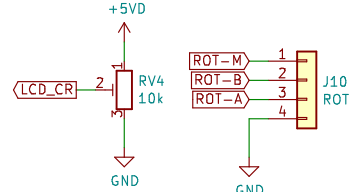
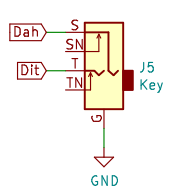
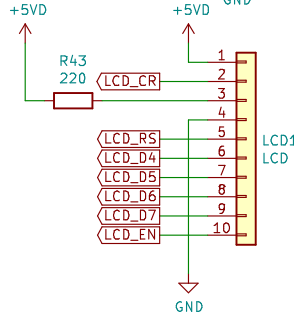
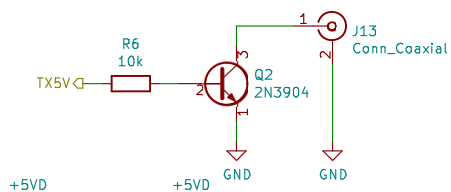
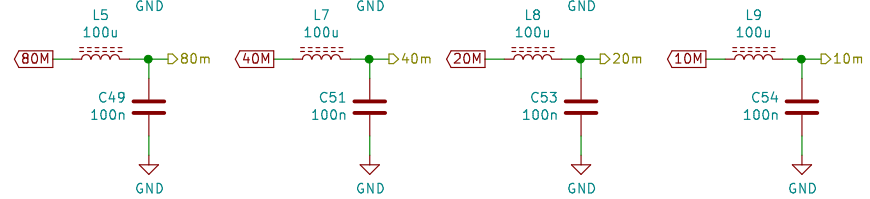
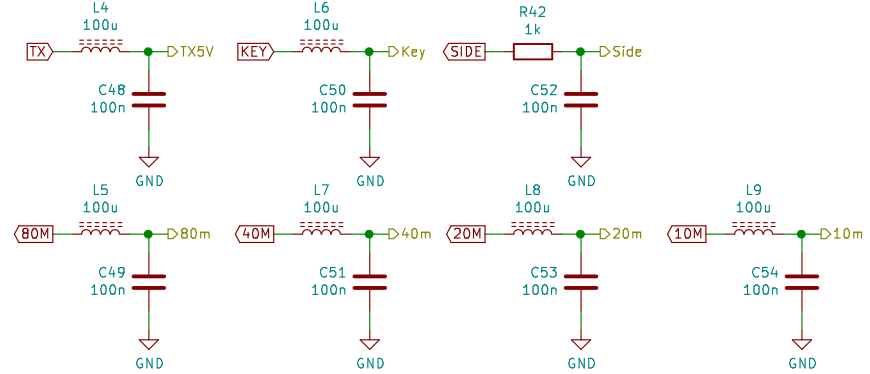
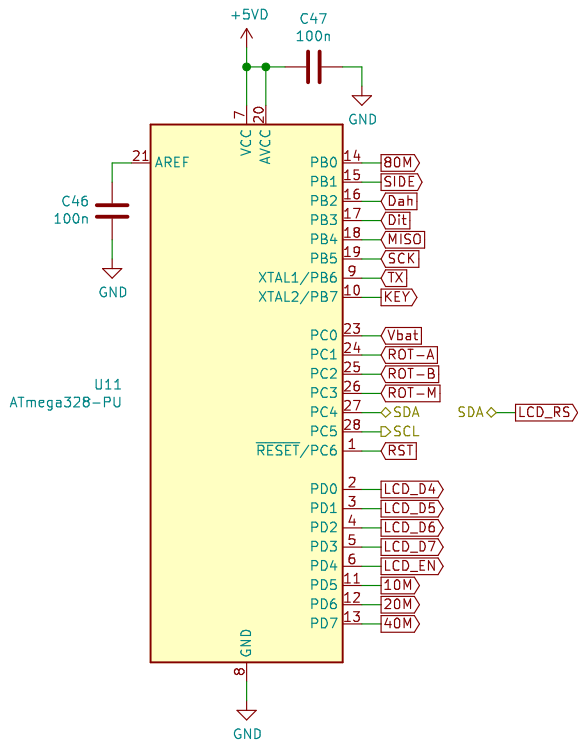


based on QCX  
 PLL + I/Q gen  
**DM3MAT**  
 Sheet: /VFO/  
 File: rx\_vfo.sch

**Title: QRP CW TRX**

Size: A4 Date: 2020-06-24  
 KiCad E.D.A. kicad 5.1.5+dfsg1-2build2

**Rev: 2**  
 Id: 5/6



based on QCX Controller	
<b>DM3MAT</b>	
Sheet: /Ctrl/	
File: rx_ctrl.sch	
<b>Title: QRP CW TRX</b>	
Size: A4	Date: 2020-06-24
KiCad E.D.A. kicad 5.1.5+dfsg1-2build2	Rev: 2
	Id: 6/6